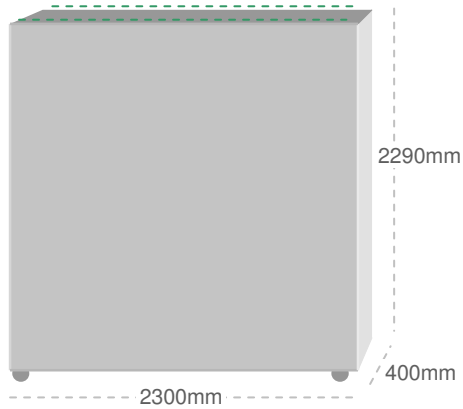


# Watson Arts Centre gallery equipment

## Mobile partitions X 3



- Picture hooks can be hung from the top on all four sides
- Castors for mobility
- Painted same colour as gallery walls (white)
- Made of custom-wood

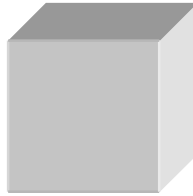
---

## Plinths

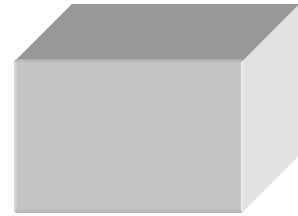
All plinths are made from custom-wood, are painted white and have open bases.



Width: 600mm  
Depth: 600mm  
Height: 400mm  
Number: 8



Width: 600mm  
Depth: 600mm  
Height: 600mm  
Number: 8



Width: 900mm  
Depth: 900mm  
Height: 600mm  
Number: 4



Width: 400mm  
Depth: 400mm  
Height: 900mm  
Number: 16



Width: 400mm  
Depth: 400mm  
Height: 1100mm  
Number: 6



Width: 400mm  
Depth: 600mm  
Height: 900mm  
Number: 8

---

## Glass Tops for Plinths

2 – 615mm x 615mm x 615mm

2 – 415mm x 415mm x 415mm

Tops fit over the 600mm x 600mm and 400mm x 400mm plinths, sitting on screws screwed into the top corners of the plinths.

---

**Hanging wires/hooks to fit on hanging track** – approx. 90

---